



Buy on-line  
at the FA Parkes  
sales portal  
the quickest  
and most efficient  
way to purchase  
all your hardware  
requirements; locks  
handles, hinges  
stays, gasketing  
etc....

[www.faparkes.co.uk](http://www.faparkes.co.uk)  
your one stop shop!



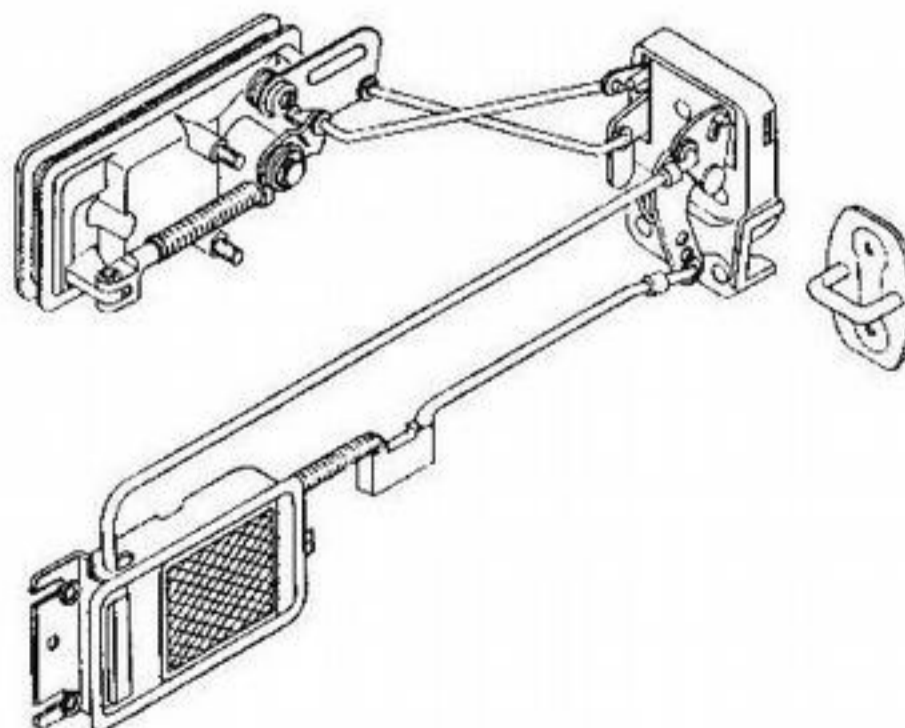
1/29774 (RH)  
illustrated with  
trim bezels  
3/14422

### ORDERING CODE

<b>1/29774</b>	Flush case, RH, black
<b>1/29775</b>	Flush case, LH, black
<b>3/15610</b>	Flush case, RH, chrome/black flaps
<b>3/15611</b>	Flush case, LH, chrome/black flaps
<b>3/15610/01</b>	Flush case, RH, chrome/chrome flap
<b>3/15611/01</b>	Flush case, LH, chrome/chrome flap
<b>3/14422</b>	Trim bezel, black (2 required)
<b>9/00078</b>	Connector rod, 3.5 mm x 1 metre

#### Installation of 'flush case'

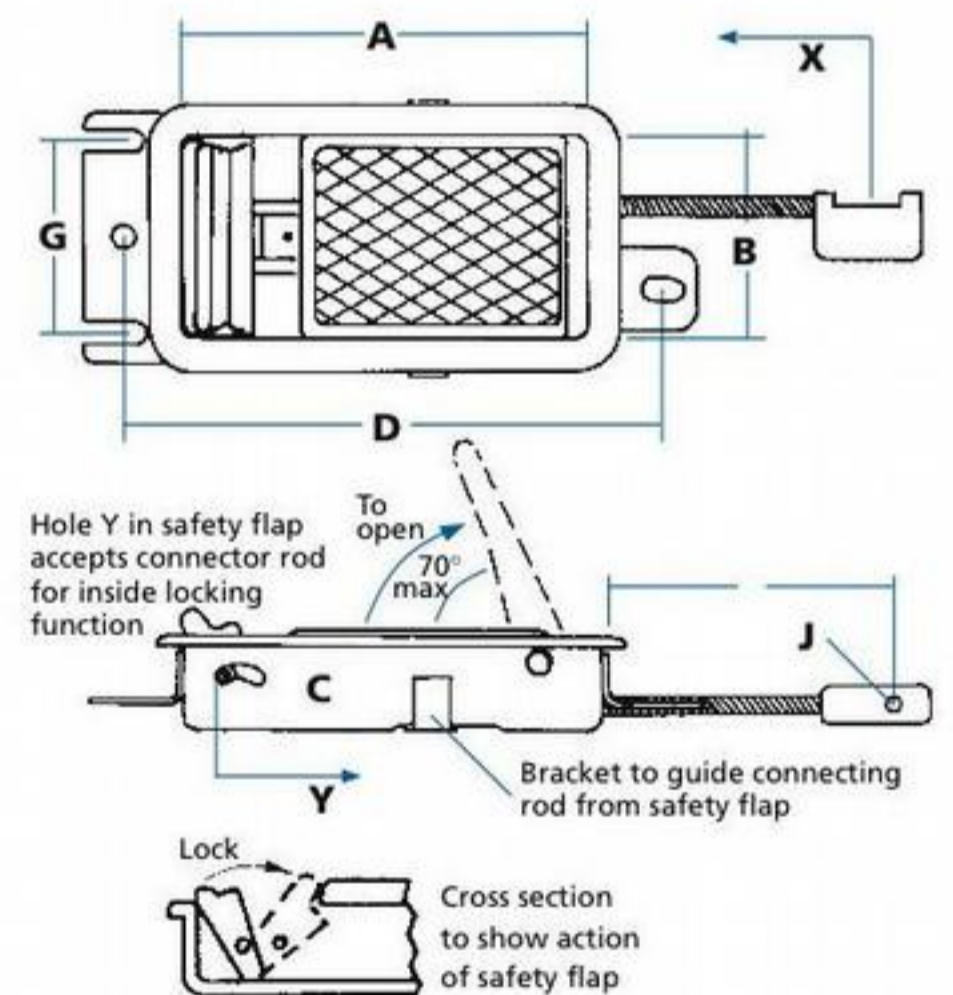
Illustration shows right-side handle with fully interconnected action through door latch to outside handle (See 'Flap handles').



#### 'Handing'

'Flush cases' are handed by position of connector block and small bracket.

### SPECIFICATION



<b>A</b>	Case length	112 mm
<b>B</b>	Case width	58 mm
<b>C</b>	Case depth	20 mm
<b>D</b>	Hole centres	145 mm
<b>E</b>	Location to 'J'	75 mm
<b>F</b>	Flange depth	15 mm
<b>G</b>	Location	50 mm
<b>H</b>	Hole size	6 x 12 mm
<b>J</b>	Hole size (dia)	3.5 mm
<b>X</b>	Travel of latch release	15 mm
<b>Y</b>	Travel of lock release	10 mm

F.A. Parkes (M.B.F) Limited  
Unit 4, Acorn Court  
Butts Street, Leigh  
Lancashire WN7 3AE

Tel. 01942 681 996  
[sales@faparkes.co.uk](mailto:sales@faparkes.co.uk)