



Buy on-line
at the FA Parkes
sales portal
the quickest
and most efficient
way to purchase
all your hardware
requirements; locks
handles, hinges
stays, gasketing
etc....

www.faparkes.co.uk
your one stop shop!



1/29902 (RH)
illustrated with
diecast chrome
flap and trim bezels
3/14422.

ORDERING CODE

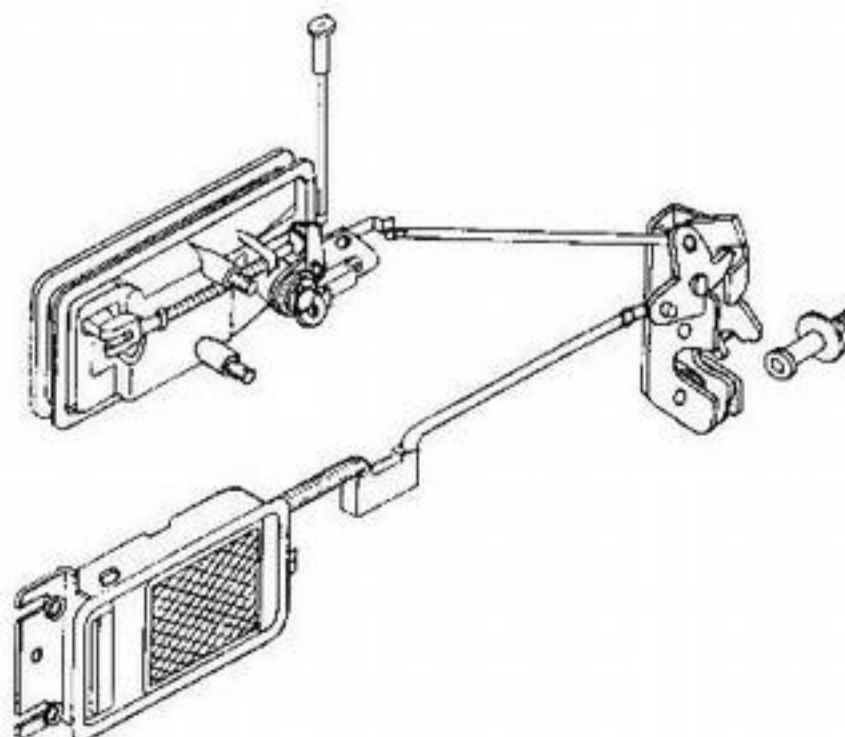
1/29450	Flush case, RH, black
1/29451	Flush case, LH, black
1/29902	Flush case, RH, black/chrome flap
1/29903	Flush case, LH, black/chrome flap
9/01013	Flush case, RH, threaded connector
9/01014	Flush case, LH, threaded connector
3/14422	Trim bezel, black (2 required)
9/00078	Connector rod, 3.5 mm x 1 metre

Special models

Using a different arrangement of operating links, connector travel ('X') can be increased to 25 mm for more positive latch release action (request 1/30601-2).

Installation of 'flush case'

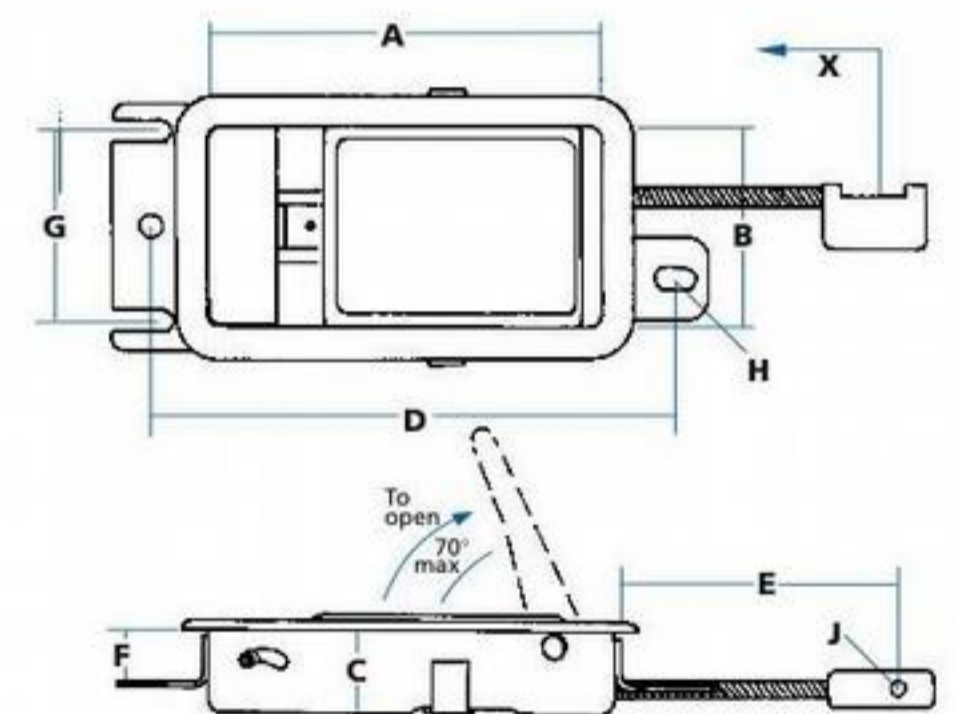
Illustration shows right-side handle with simple connection to latch (See 'Flap handles').



'Handing'

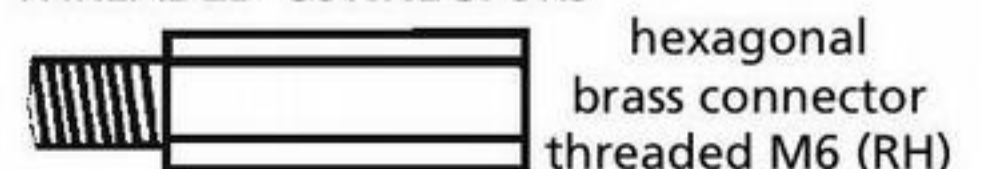
'Flush cases' are handed by position of connector block and small bracket.

SPECIFICATION



A	Case length	112 mm
B	Case width	58 mm
C	Case depth	20 mm
D	Hole centres	145 mm
E	Location to 'J'	75 mm
F	Flange depth	15 mm
G	Location	50 mm
H	Hole size	6 x 12 mm
J	Hole size (dia)	3.5 mm
X	Travel of latch release	15 mm

THREADED CONNECTORS



F.A. Parkes (M.B.F) Limited
Unit 4, Acorn Court
Butts Street, Leigh
Lancashire WN7 3AE

Tel. 01942 681 996
sales@faparkes.co.uk