



Buy on-line  
at the FA Parkes  
sales portal  
the quickest  
and most efficient  
way to purchase  
all your hardware  
requirements; locks  
handles, hinges  
stays, gasketting  
etc....

[www.faparkes.co.uk](http://www.faparkes.co.uk)  
your one stop shop!



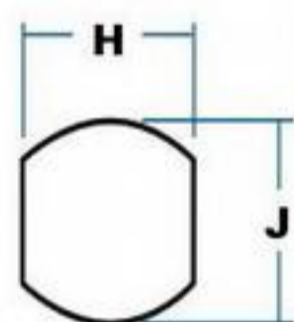
Double-sided 'FT' keys  
as standard



9/01930

### ORDERING CODE

<b>9/01930</b>	Low-profile lock, 90°, mixed keys
<b>9/01930/01</b>	Low-profile lock, 90°, FT 111
<b>9/01931</b>	Low-profile lock, 180°, mixed keys
<b>9/01931/01</b>	Low-profile lock, 180°, FT 111

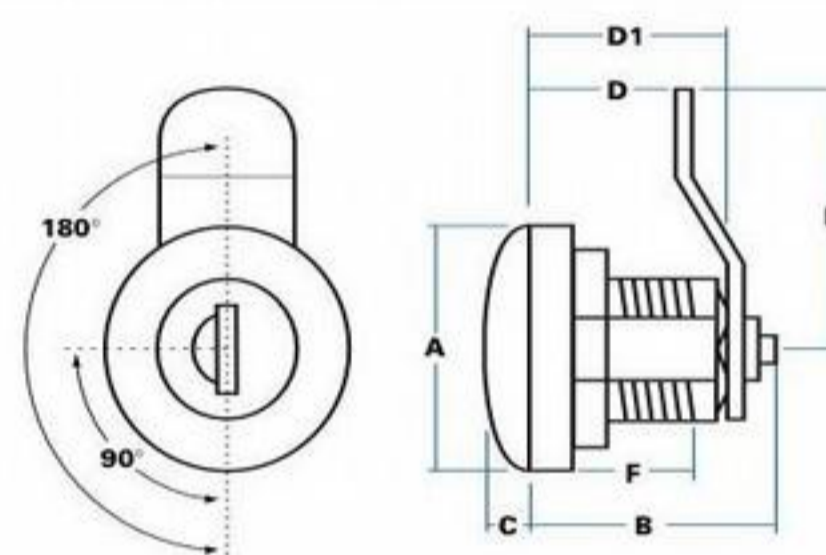


'Type 2' piercing  
This larger aperture  
also suits our 'easy-  
fix' range of handles.

<b>G</b>	Diecast spacer (depth)	6 mm
<b>H</b>	Piercing, across flats	22 mm
<b>J</b>	Piercing, diameter	24 mm

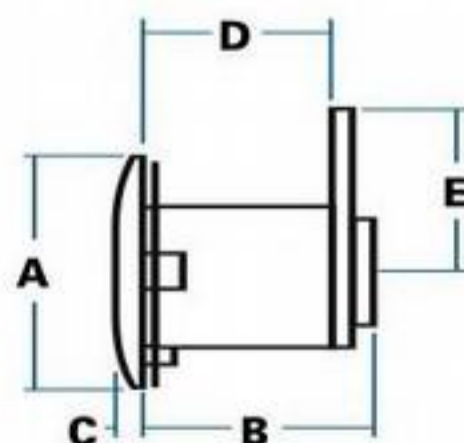
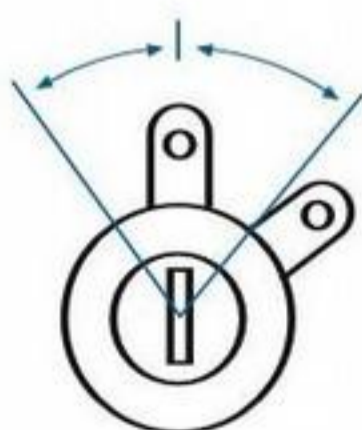
Latch bar reversible, can be fitted at 45° intervals.

### SPECIFICATION



<b>A</b>	Head diameter	30 mm
<b>B</b>	Total depth	29 mm
<b>C</b>	Head projection	5 mm
<b>D</b>	Depth to cranked latch	15 mm
<b>D1</b>	Body depth	22 mm
<b>E</b>	Height of bar	37 mm
<b>F</b>	Thread depth	17 mm

7/24385 Spring  
Fixing clip  
(supplied with  
locks)



1/29400-1  
(Supplied as  
pairs)



### ORDERING CODE

<b>1/29400-1</b>	'Private' locks, LH/RH pair, complete with spring clip.
------------------	--

Request engineering drawing for panel cut-out  
dimensions.

### SPECIFICATION

<b>A</b>	Head diameter	30 mm
<b>B</b>	Total depth	33 mm
<b>C</b>	Head projection	2 mm
<b>D</b>	Depth to bar	25 mm
<b>E</b>	Height to hole centre	16 mm

F.A. Parkes (M.B.F) Limited  
Unit 4, Acorn Court  
Butts Street, Leigh  
Lancashire WN7 3AE

Tel. 01942 681 996  
[sales@faparkes.co.uk](mailto:sales@faparkes.co.uk)