



Buy on-line  
at the FA Parkes  
sales portal  
the quickest  
and most efficient  
way to purchase  
all your hardware  
requirements; locks  
handles, hinges  
stays, gasketing  
etc....

[www.faparkes.co.uk](http://www.faparkes.co.uk)  
your one stop shop!

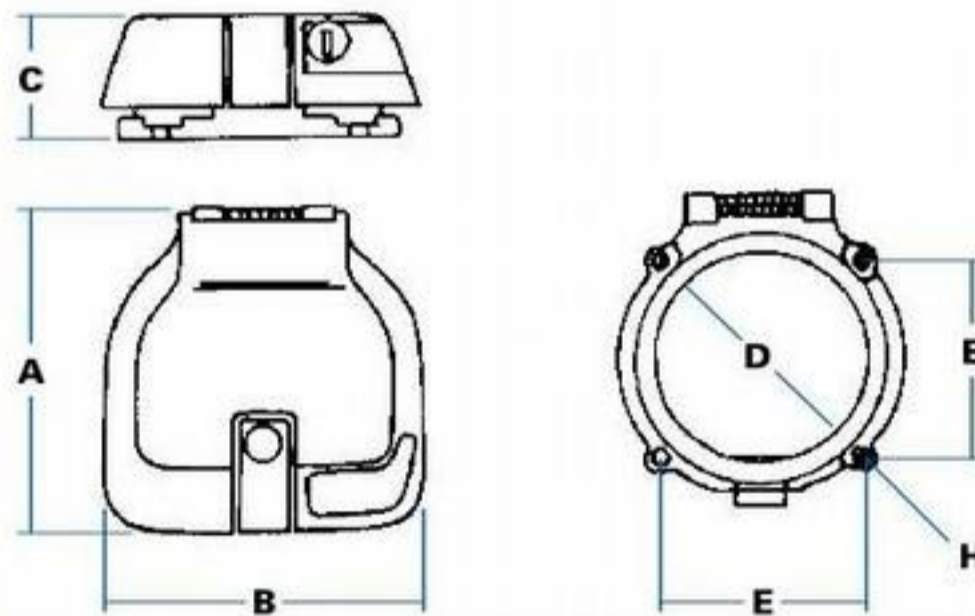


**1/27164**  
Filler cap & base



### ORDERING CODE

**1/27164** Cap & neck, black, fully-sealed



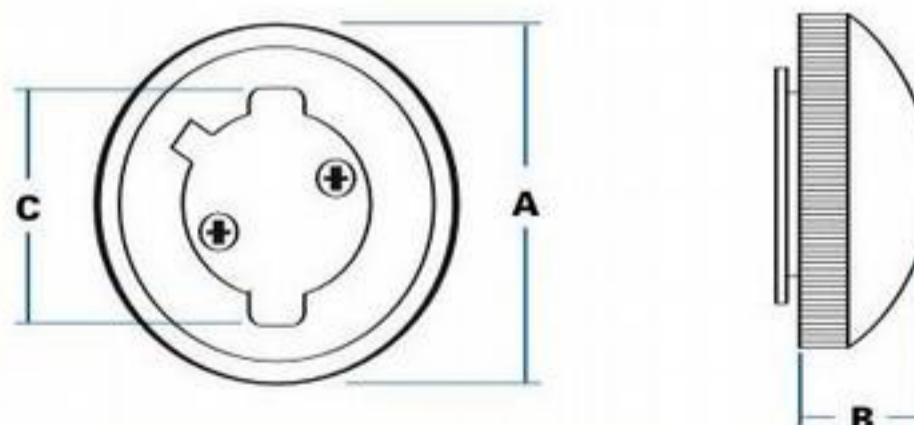
### SPECIFICATION

<b>A</b> Length	110 mm
<b>B</b> Width	105 mm
<b>C</b> Height	40 mm
<b>D</b> Aperture diameter	70 mm
<b>E</b> Hole centres	70 mm
<b>H</b> Hole sizes (dia)	6 mm

Cap opens by strong spring action to 110° from horizontal.

F.A. Parkes (M.B.F) Limited  
Unit 4, Acorn Court  
Butts Street, Leigh  
Lancashire WN7 3AE

Tel. 01942 681 996  
[sales@faparkes.co.uk](mailto:sales@faparkes.co.uk)



### ORDERING CODE

**604026** 'Period' cap, chrome, fully-sealed

**604027** 'Period' cap, chrome, valved/vented

**616901** Steel filler neck, 58 mm dia.

(Ask for advice on suitability of caps where venting is required. EC regulations may apply)



**604026**

### SPECIFICATION

<b>A</b> Diameter	80 mm
<b>B</b> Height	32 mm
<b>C</b> Bayonet (standard)	48 mm

Cap fits steel neck-end, 616901  
(58 mm internal diameter)