



Buy on-line
at the FA Parkes
sales portal
the quickest
and most efficient
way to purchase
all your hardware
requirements; locks
handles, hinges
stays, gasketting
etc....

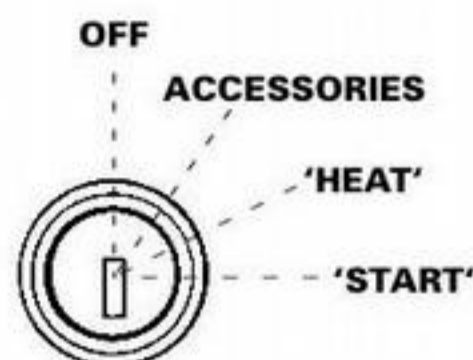
www.faparkes.co.uk
your one stop shop!



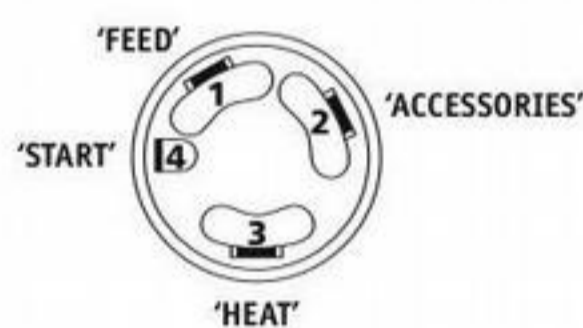
F.A. Parkes (M.B.F) Limited
Unit 4, Acorn Court
Butts Street, Leigh
Lancashire WN7 3AE

Tel. 01942 681 996
sales@faparkes.co.uk

SWITCH POSITIONS - FRONT VIEW



TERMINAL POSITIONS



1/06280
Ignition barrel



Ignition switch
with assembled
lock barrel, bezel,
and special
'customised' key



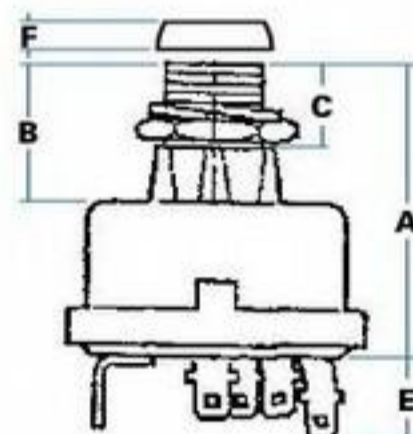
ORDERING CODE

5/02090	Ignition switch only (35640D)
1/06280	'FS' ignition barrel, non-shuttered
1/07906	'FS' ignition barrel, shuttered
1/09280	'92' ignition barrel, non-shuttered
1/09151	'FT' ignition barrel, shuttered
5/02136	Deep bezel (optional)
5/02336	Standard Lucas bezel, chrome

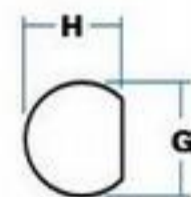
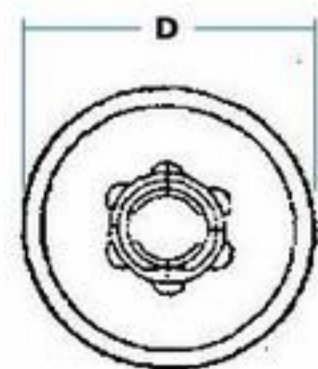
SPECIFICATION

A	Total switch height	56 mm
B	Boss height	29 mm
C	Thread height	16 mm
D	Base diameter	54 mm
E	Terminal projection (max)	16 mm
F	(Deep) bezel height	6 mm
G	Head, diameter	19.6 mm
H	Across 'flat'	18.4 mm

Maximum current recommended at 'start' is 16.5 amps. Electrical connectors are 'Lucar' blade terminals.



The special
'deep' bezel
must be used
with the
'FT' barrel,
1/09151



ORDERING CODE

7/27693	'Butterfly' ignition barrel
9/01874	'Butterfly' barrel, non-locking

The butterfly barrel is only available in the 'FS' key series.



7/27693
Ignition barrel
with chromium-
plated 'butterfly'
head